

Sestrel



LILLEY & GILLIE

EQUIPMENT

Directing International Shipping since 1812

SESTREL NAVIGATOR COMPASS



In our 200th year of marine equipment excellence, Lilley and Gillie Limited are proud to introduce the new SESTREL Navigator Compass.

This sleek, eye catching and compact design comes in either black or white and a number of options to suit the navigational needs aboard your vessel.

The SESTREL Navigator Compass utilizes our commercially proven technologies in compass design and implements the reliability and build quality expected on commercial vessels for leisure, small craft and military operators.



FW7702
Binnacle White



FW7703
Binnacle Black

Available in three separate models, all including a compass dome cover in matching colour, the SESTREL Navigator Compass is diverse in design to suit any bridge or cockpit formation. These models and part numbers are:

- The SESTREL Navigator Compass Well Fit. (FW7700 Well Fit Black / FW7701 Well Fit White)
- The SESTREL Navigator Compass Binnacle (FW7702 Binnacle Black / FW7703 Binnacle White)
- The SESTREL Navigator Compass additional Quadrantal Correction Kit. (Does not include Compass) (FW7704 QC Kit Black / FW7705 QC Kit White)



FW7705
QC Kit White



FW7701
Well Fit White

INSTRUMENTAL IN MARINE NAVIGATION

Technical information

Material

Aluminium alloy binnacle and bezel. All other parts are injection moulded in Polycarbonate / ABS blend Polymer.

Correction

B & C correction built in on both Well-Fit & Binnacle versions. Heeling correction pockets included (user to provide magnets).

Quadrantal Correction (QC) kit available as an option for Binnacle version.

Lighting

2 x red LED with built-in drive circuit allowing connection to 12V or 24V D.C. boat supply.

Weights

Well Fit 2.16kg

Binnacle 2.81kg

Binnacle with Quadrantal Correction 4.12kg

Colour

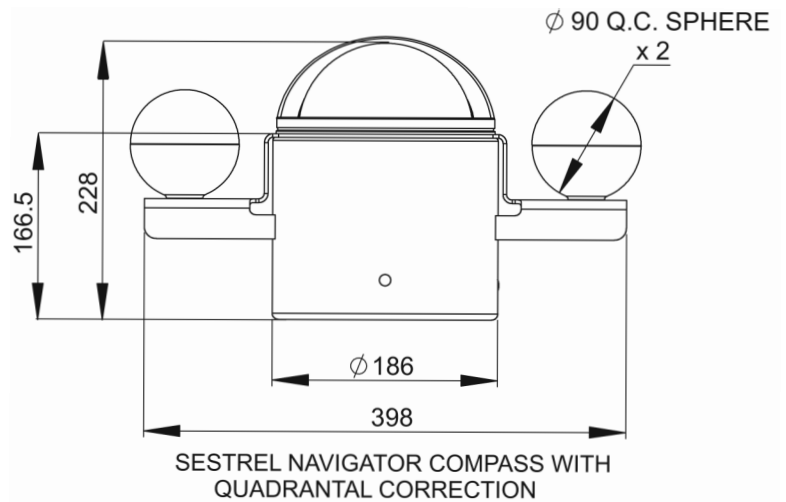
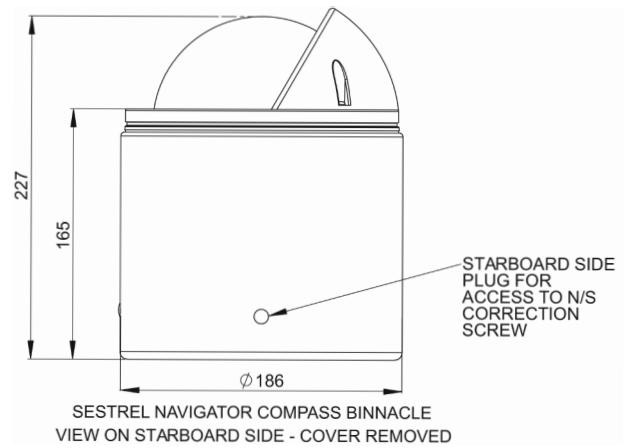
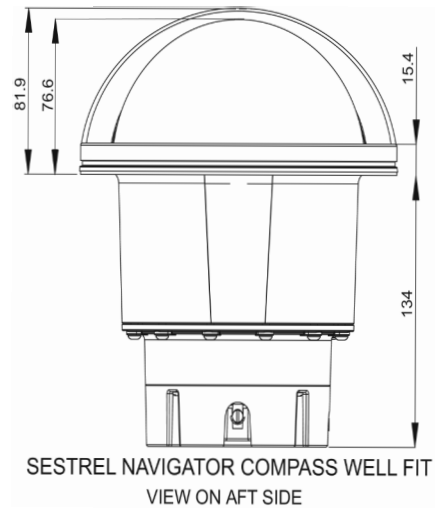
Black or White on all models.

Apparent Card Diameter

135mm

Optional Extra

Sestrel Navigator Compass Lighting Control.
(FW7710)



In accordance with our policy of continuous development, changes may be made from time to time without prior notice.



John Lilley & Gillie Ltd.,
Tel: +44(0)191 270 4260
E-Mail: sales@jlgmarine.com
Web: www.jlgmarine.com

LILLEY & GILLIE
EQUIPMENT

Directing International Shipping since 1812